

Plastic container 1100l Flat lid



TECHNICAL DATA:

Volume: 1100lt

Dimensions: 1373 x 1073 x 1354

Weight: approx. 60kg

Material: HDPE, UV-stabilized, resistant to high and low temperatures

Wheels: 4 rubber wheels Ø200

Corrosion-free steel axle

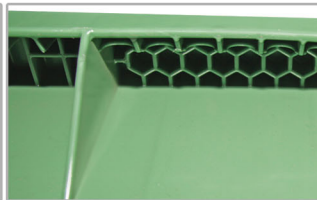
Reinforced comb receiver

(honey-comb structure)

Additional reinforcement on

all walls – form of curved surface

Lid with lip handle



OPTIONS:

Recycling inserts for PET, paper, packaging and glass

Foot-operated lid opening

Noise reduction

Locking system

Marking

Hot stamping

Colors: green, yellow, blue.



Other colors on request.

ADVANTAGES OF HDPE MATERIAL:

Environment friendly

Long life expectancy

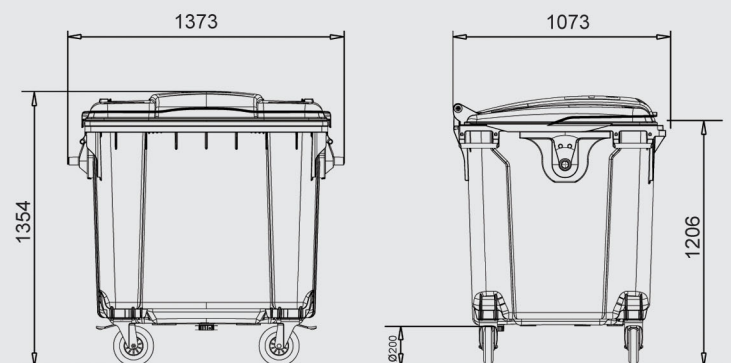
Can be recycled

Frost-proof

Chemical resistant

High UV light resistance

DIMENSIONS:



Cert no. 6513